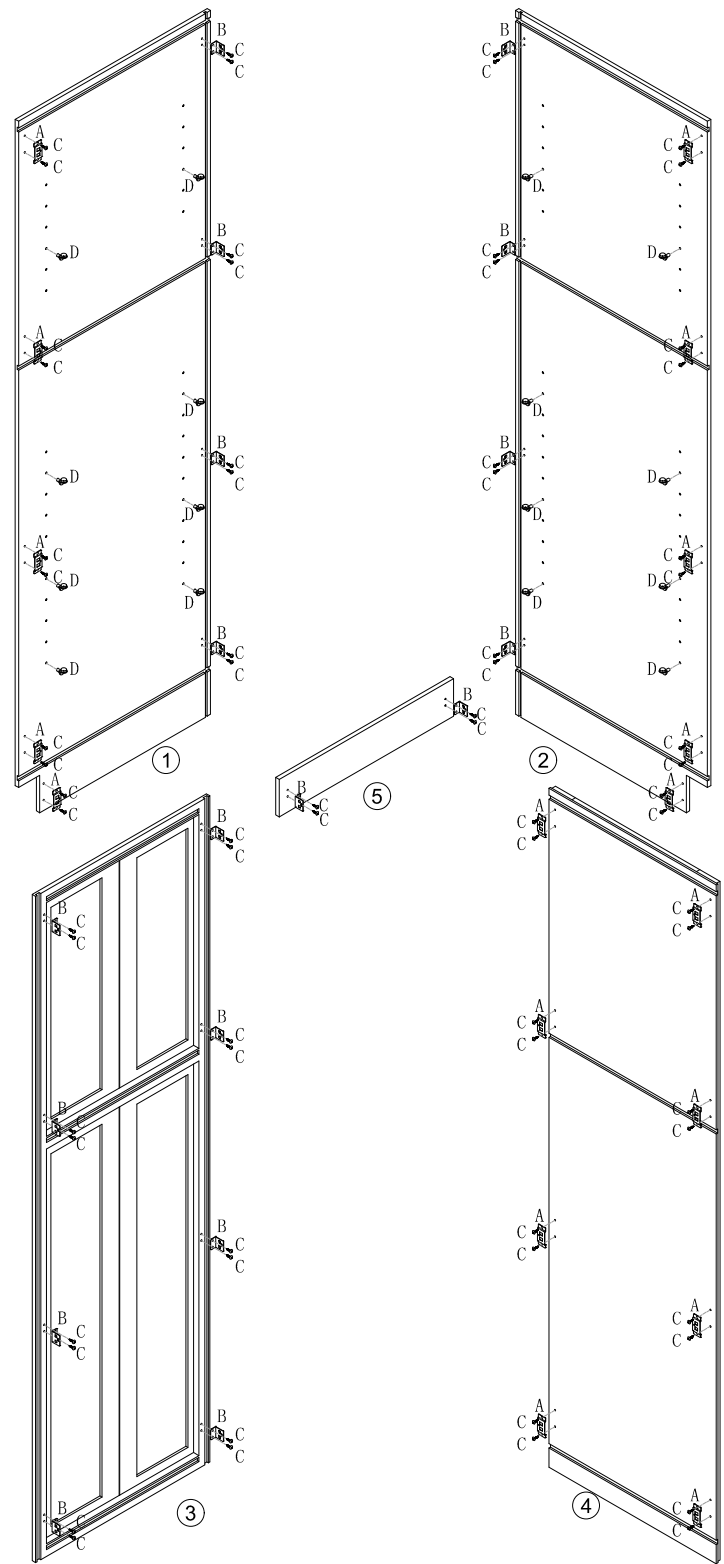
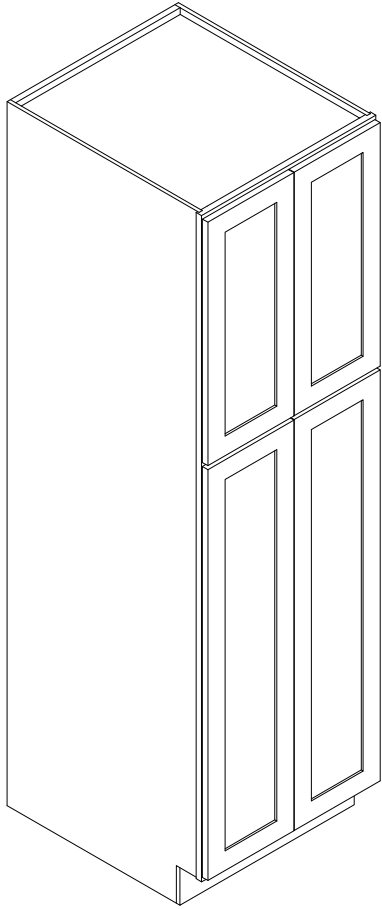


ASSEMBLY INSTRUCTIONS

WP2484/WP2493

Step 1



Parts list

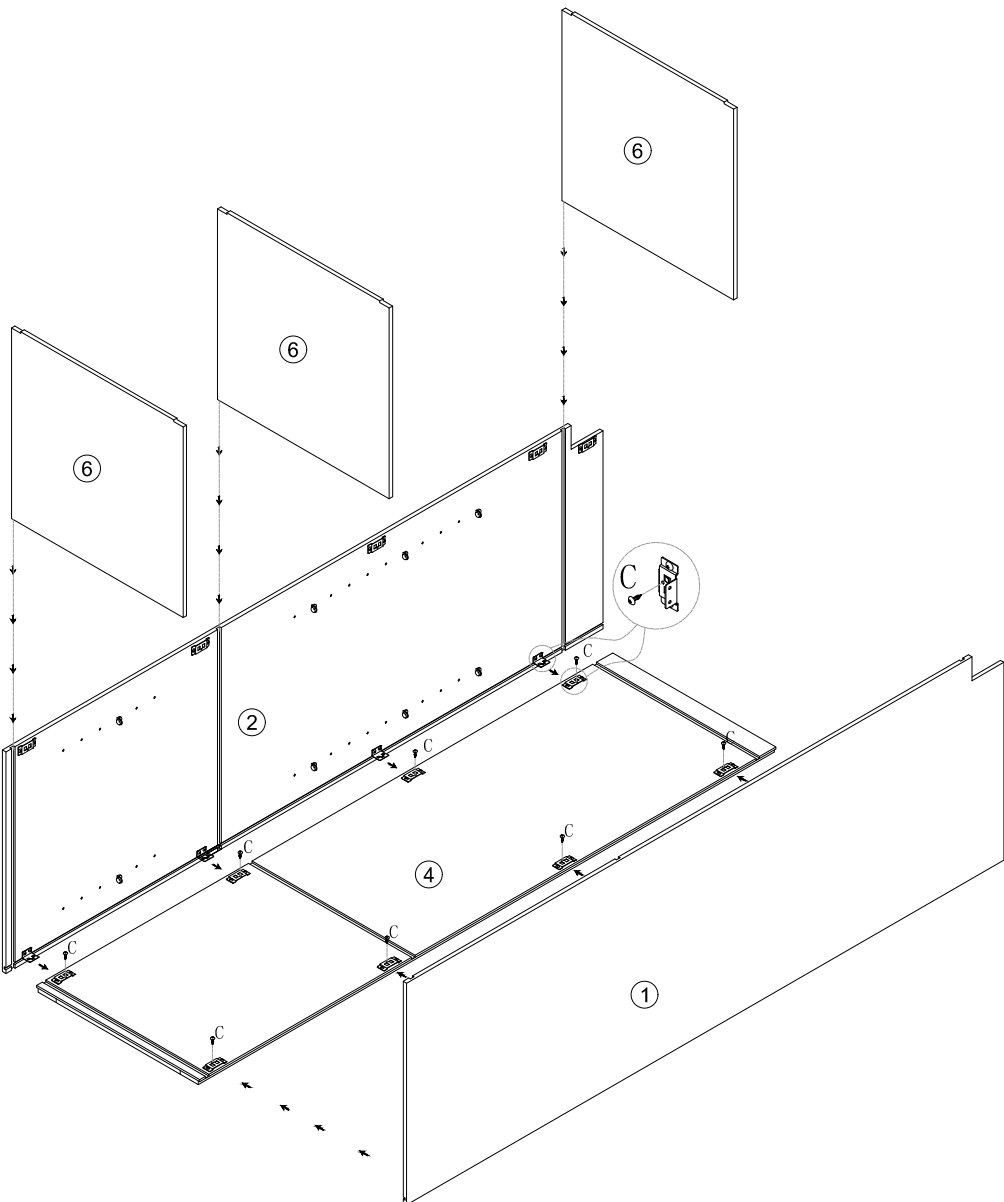
NO.	Parts	QTY
A		18
B		18
C	 (M4*0,47")	90
D		16

NO.	Parts	QTY
E	 (T4*0,98")	3

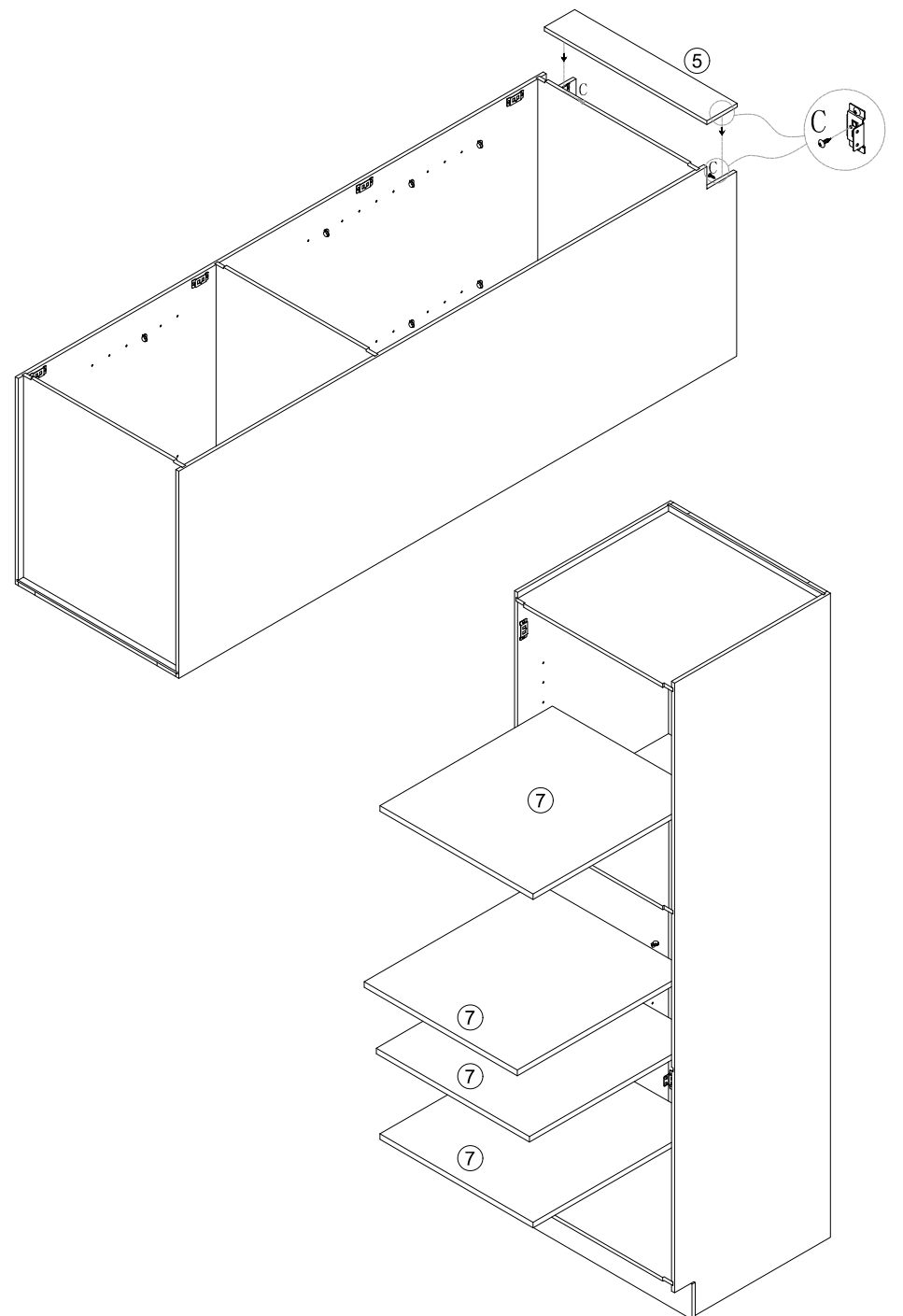
Tools
(required but not provided)



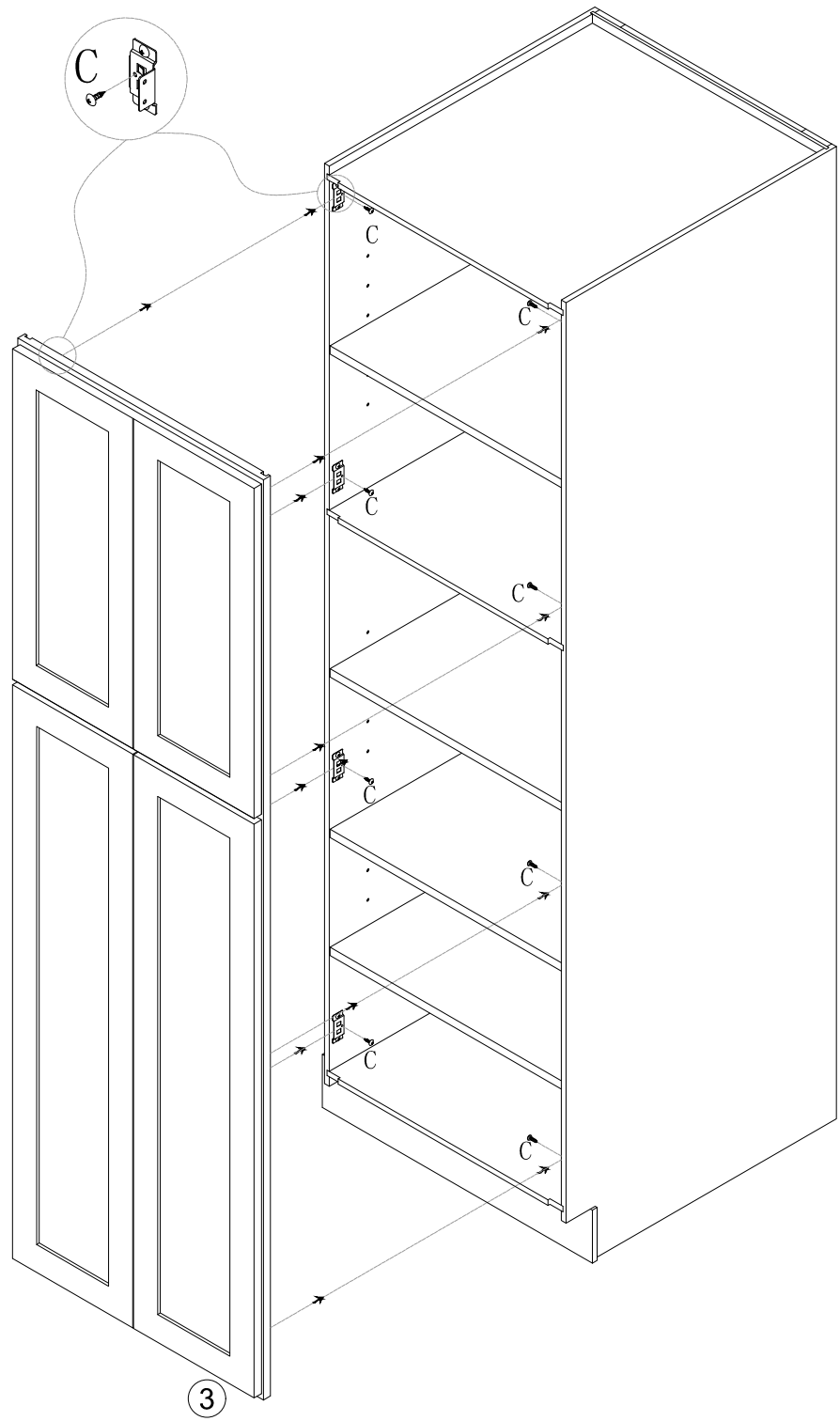
Step 2



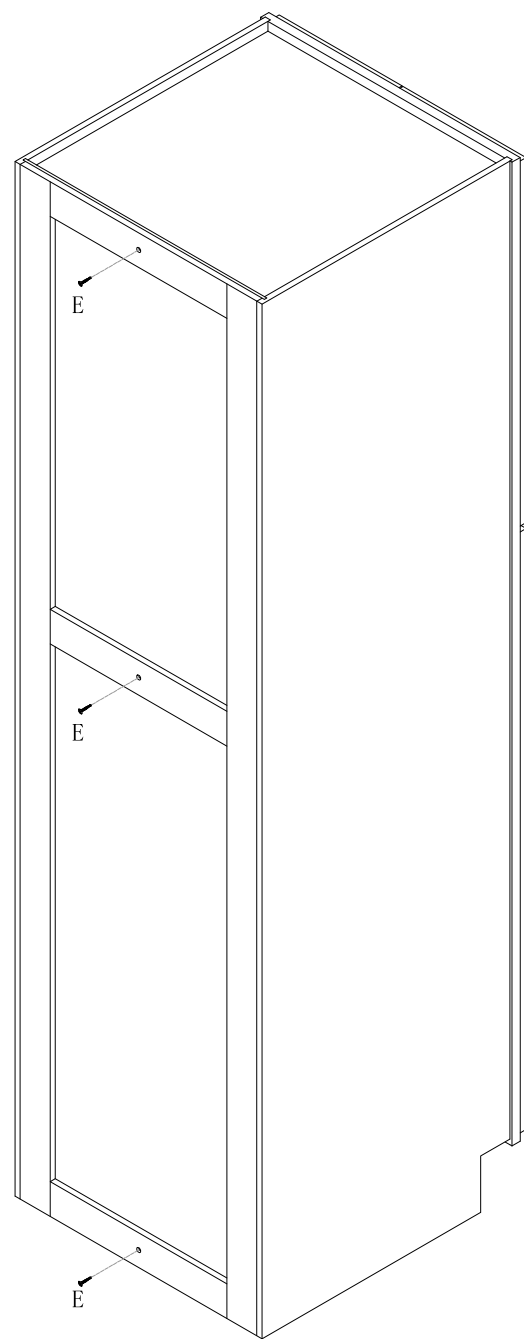
Step 3



Step 4



Step 5



Finished

